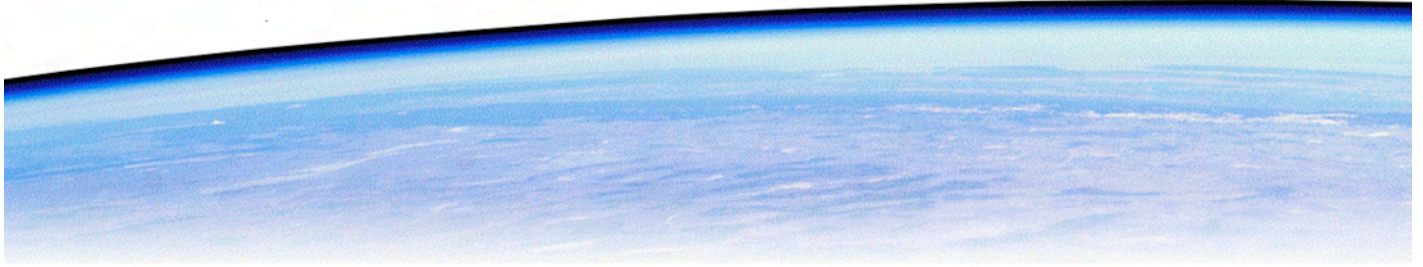
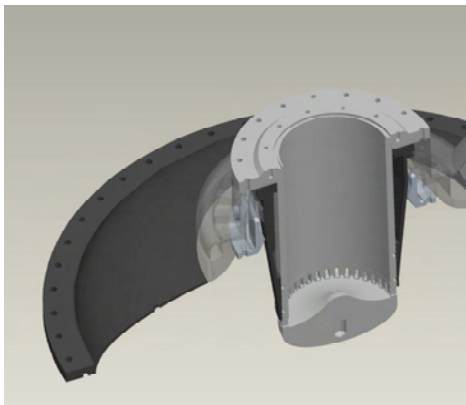


TGV-RT30 Reusable Throttleable Rocket Engine



Demonstrated Deep Throttle Capability from a LOx/Kerosene Engine

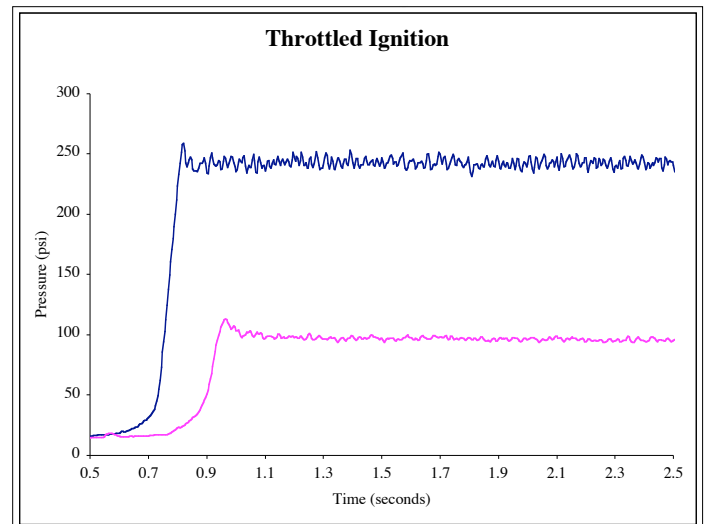
Propellants	JP-8/Liquid Oxygen
Sea Level Thrust	29,500 lbs
Vacuum Thrust	35,500 lbs
Vacuum Isp	275 sec
Thrust to Weight	150:1
Throttle Range	>10:1
Design Life	> 100 starts



TGV's Reusable Throttleable Rocket Engine 30,000 lbs (RT30) represents a significant advance in rocket propulsion capability for reusable flight vehicles. With a demonstrated wide throttling range of over 10:1, operation on military-standard jet fuel, and a design for low maintenance and long life, the RT30 is the ideal powerplant for operationally responsive space lift.

The RT30 has completed a full set of test firings, demonstrating reliable ignition and smooth operation across a wide design thrust range.

TGV Inc. can provide a full range of propulsion design and integration services.



TGV Rockets, Inc
2420 Springer Dr.
Norman, OK 73069
405-366-0779

